

THERAGUN PRO

Professional-Grade Smart Percussive Therapy™ Device

Getting started

Step 1

Turn on and float

Firmly press and hold the center button on the button pad, then float the Theragun PRO across areas in need. Use the plus (+) and minus (-) buttons on the button pad to adjust the speed. Apply light to moderate pressure as needed.

Step 2

Get the Therabody app

We'll guide you through a stress-free setup and show you how to get the most out of your Theragun PRO.

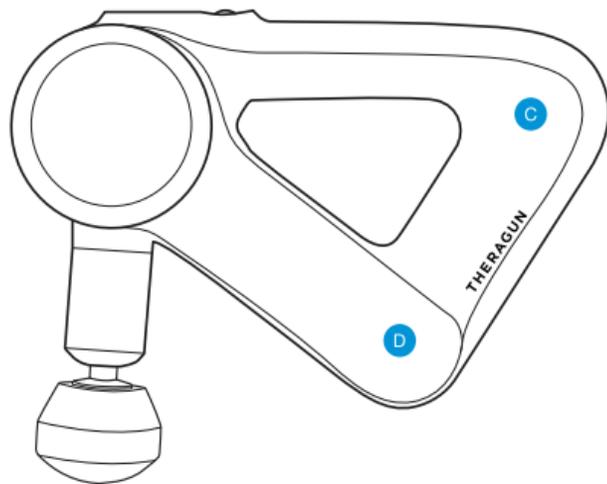
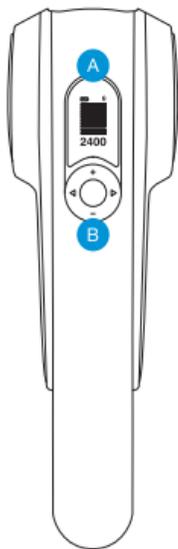
Step 3

Feel the difference.™ Every day.

Take a deep breath and treat yourself with guided treatment presets or freestyle mode. It's all designed for you.

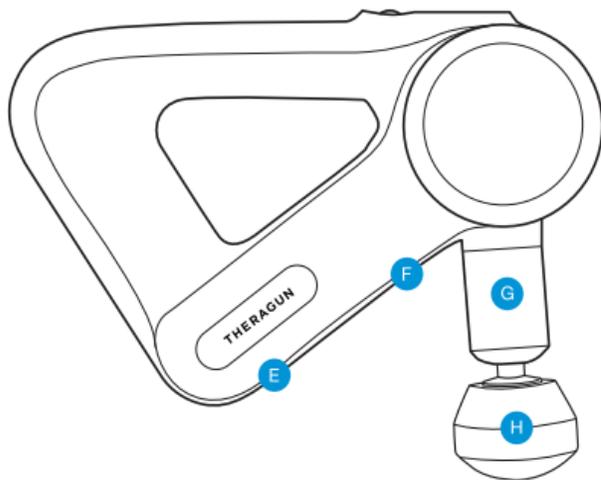
The Theragun PRO

- A OLED screen
- B Button pad
- C Theragun Triangle multi-grip
- D Lithium-ion battery



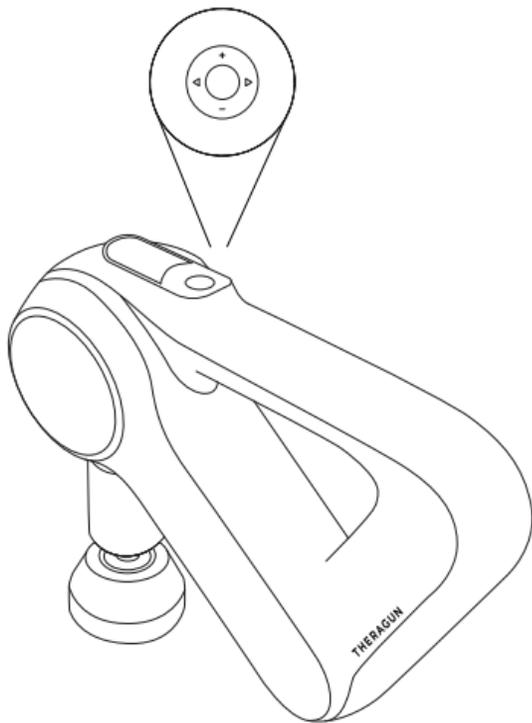
See Warnings insert for
important safety instructions

- E Battery release button
- F Rotating arm button
- G Rotating arm
- H Interchangeable attachments



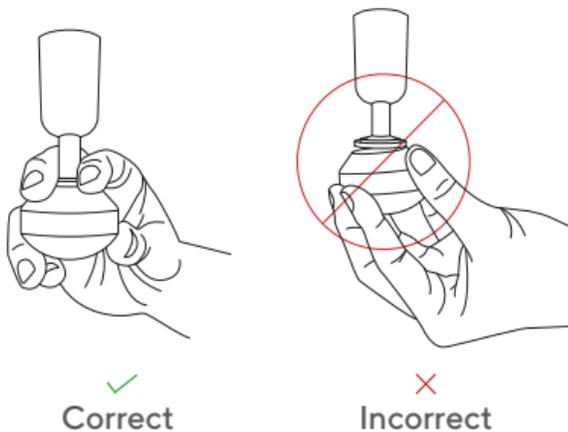
Using the Theragun PRO

1. Insert the lithium-ion battery fully before turning on the Theragun PRO.
2. To turn on the Theragun PRO, firmly press and hold the center button on the button pad.
3. Press the plus (+) and minus (-) buttons on the button pad to increase or decrease speed.
4. Press the left (<) and right (>) arrows on the button pad to toggle between the Theragun PRO's pre-loaded treatment presets.
5. To turn off the Theragun PRO, firmly press and hold the center button on the button pad until the device shuts down.



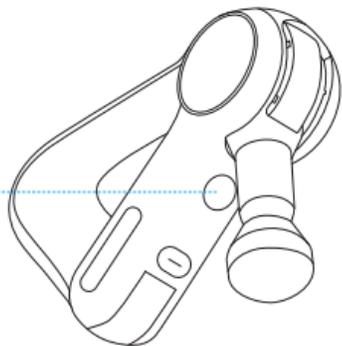
Connecting the attachments

Ensure that your device is powered off before connecting or removing any attachments. Align the attachment with the tip of the arm and push to connect. To remove the attachment, hold the triangle grip with one hand, and the attachment with the other hand. Place one finger on each side of the plastic connector and firmly pull off the attachment. **Warning: Do not place your finger between the attachment and the end of the arm, as this may cause pinching or injury.**



Using the rotating arm

Your Theragun PRO's rotating arm adjusts to 4 positions. To adjust the arm, push the rotating arm button on the underside of the Theragun PRO and move the arm to the desired position.

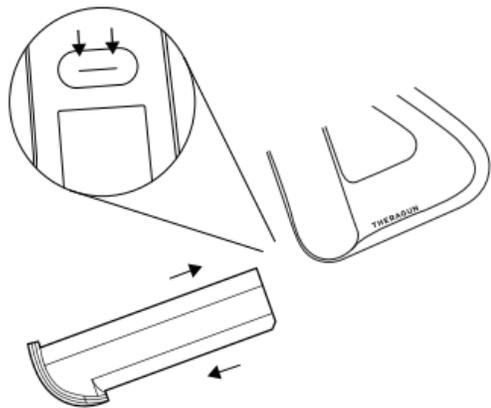


Lithium-ion battery

Align and insert the battery in the battery slot on the underside of the Theragun PRO with the flat side of the battery end facing the circular release button.

Battery life is displayed on the Theragun PRO's OLED screen when the device is turned on.

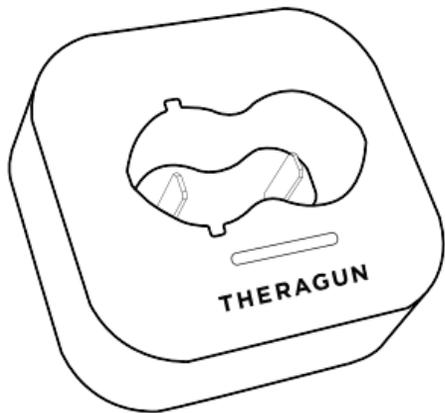
To remove the battery, press the circular release button above the battery slot and pull the battery out.



Charger

Plug the charging wire into the port on the charging dock. Insert the battery into the charging dock and press down until the light flashes. Charging is complete once the light stops flashing.

[The Theragun PRO is wireless charging enabled. For more on wireless charging, visit \[Therabody.com\]\(https://www.therabody.com\).](#)



Cleaning Instructions:

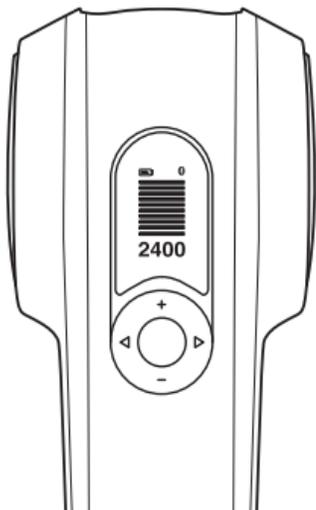
For the most hygienic Theragun device experience, sanitize it after each use by:

1. Wiping the device with a disinfectant wipe to remove any residue
2. Once the device is residue-free, use a new wipe to disinfect the surface area by wiping all sides in a downward motion.

Smart Features

Your Theragun PRO is smart device enabled with Bluetooth connectivity, designed to pair seamlessly with the Therabody app. When you download the app, you'll be guided through a step-by-step setup and shown how to pair your device.

Once paired with your device, the app can remotely adjust speed, activate guided treatment presets, and make real-time recommendations based on your usage. Your Theragun PRO's OLED screen supports your app experience by displaying the current speed and force to help guide your treatment.



Scan the QR code
to get started.



Attachments

Your Theragun PRO comes with 6 different attachments designed for every muscle and need.

Dampener

For use on tender areas or near bones



Thumb

For lower back and trigger point therapy



Standard Ball

For overall, general use



Cone

For pinpoint muscle treatment



Wedge

For scraping, shoulder blades, or IT bands



Supersoft™

When you need a soft touch



THE RAGUN

by Therabody

Born in Los Angeles, CA.
Designed for every**body**.



@Therabody